

## Microstrip Circulator

Part Number: KTMC-902A21

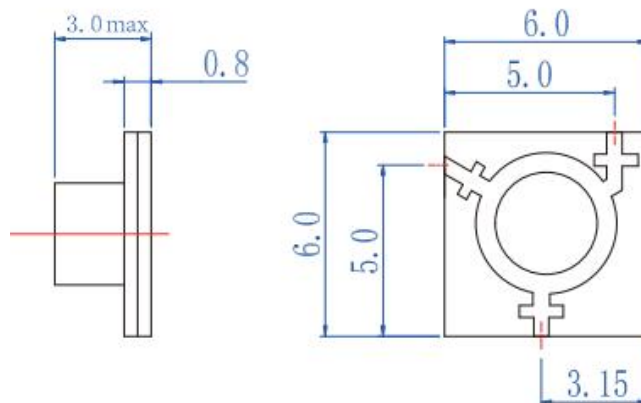
### Key Features

- Frequency Range: 7GHz-13GHz
- Good Consistency
- Small Size, High Precision
- High Isolation, Low Insertion Loss
- Wide Operating Temperature Range: -55°C~+85°C
- Widely Used in Various Millimeter Wave Radar & TR Components

### Electrical Specifications at Room (25°C±5°C) Temperature

Part Number	Freq. Range (GHz)	Bandwidth Max. (MHz)	Insertion Loss Max. (dB)	Isolation Min. (dB)	VSWR Max.	Forward Power (W)	Connector Type
KTMC-902A21	7 - 13	full	0.8	15	1.45	30	GWB

### Mechanical Dimensions (mm)



### HOW TO ORDER

